



FDW75 FusionDome™

With its attractive design and compact size, Moog Videolarm's FusionDome offers versatility and added protection to your video surveillance system. Compatible with most of today's leading IP and analog camera manufacturers, the FusionDome is constructed of a durable engineered plastic top, 94V0 UV protected, and includes an enhanced optical dome. To better meet the demands of your particular surveillance application, the FusionDome is available with several unique options: pendant or wall mount, 12Vdc input, heater/blower, fixed or PTZ camera bracket, and more.

Key Features

- Thermostatically controlled 12Vdc or 24Vac heater and surge protection (outdoor models only)
- Integrated wall mount standard; pendant mount available (1½" pipe thread)
- Enhanced optically clear lower dome for increased visibility
- Universal mounting plate accepts most IP network and analog camera systems
- Durable engineered plastic top, 94V0 UV protected
- IP66 rated
- PoE models are also available



FDW75C12N

PTZ Outdoor / Indoor Housings:

FDW75C2N
 IP network ready 7" outdoor dome housing with wall mount, clear polycarbonate dome, with 24Vac input, heater/blower, for an IP network PTZ camera, 120 to 24Vac transformer

IFDP75TN
 Indoor dome housing with pendant mount, tinted dome, for an IP network PTZ camera, no electronics

FDW75C12N
 12Vdc version of the FDW75C2N

Fixed Outdoor / Indoor Housings:

FDW75F2N
 IP network ready 7" outdoor dome housing with wall mount, clear polycarbonate dome, with 24Vac input, heater/blower, for an IP fixed camera, 120 to 24Vac transformer

IFDP75TF
 Indoor dome housing with pendant mount, tinted dome, for an IP network fixed camera, no electronics

**PoE
Housings:**
FDW75C8N/FDW75CF8N
 Standard outdoor wall mount dome housing for PoE and PoE Plus enabled PTZ/fix cameras. DPA system, 60W, 100-240Vac input, midspan included (see supported cameras)

COMPATIBLE CAMERAS:

To view the latest listing of compatible cameras please visit www.videolarm.com/thirdparty.jsp

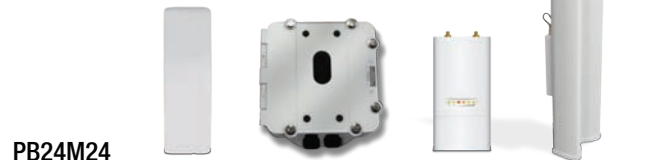
PTZ:

ACTI	ACM-8201/8211, ACM-8511, CAM-6510	iCANTEK	iCanView 250/252
AXIS	213, 214, 215, 232D+, 233D	JVC	VN-C625U, VN-V685U, VN-C655U, VN-V686BU, VN-V686U
Canon	VB-C10, VB-C300, VB-C50I, VB-C60, VC-C50I	Panasonic	WV-NS202A, WV-NF284, WV-NS202A, WV-NS954, WV-NF302, WV-NW502S, WV-SF336, KX-HCM180
ELMO	PTC-200C, PTC-400C, PTC-401C IP	SONY	SNC-RH124, SNC-RS44/46, SNC-RX530/550/570, SNC-RZ25, SNC-RZ30, SNC-RZ50
TOSHIBA	IK-WB21A		
SAMSUNG	SND-3080, SND-5080, SND-560, SNP-3301/3370, SNP-1000A		
TOA	2564		

ALSO AVAILABLE IN FIXED COMPATIBLE CAMERAS

For detailed list see web site****

ACCESSORIES:



PB24M24
 Rugged outdoor wireless box, with a 220/110Vac input and 24Vac output for camera, fuse protected with a wireless 2.4GHz MIMO transmitter. Directional antenna



PRM50G
 Heavy-duty aluminum parapet mount bracket with 20" extension, includes 1 1/2" NPT

APM3
 Aluminum pole mount bracket with female inserts

SPECIFICATIONS:

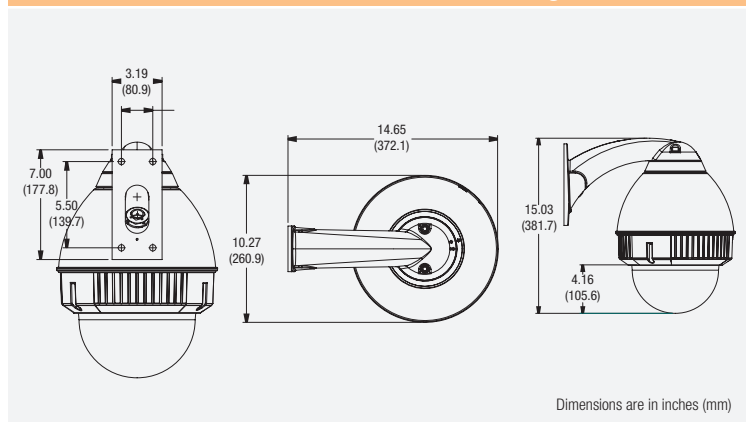
Mechanical Specifications	
Size (h*w*d):	14.7" x 8.2" x 14.5" (374 x 208 x 369mm)
Weight:	11 Lbs. (5 Kg.)
Construction TOP:	3mm engineered plastic
Construction DOME:	Polycarbonate
Mount Bracket:	Machined & cast aluminum

Electrical Specifications	
Power Requirements:	24Vac 55W (Heater/Blower 27W)
Dome 24Vac model:	12Vdc, 50W
Dome 12Vdc model:	(includes 20W for heater)

Environmental Specifications	
Operating Temperature:	-20°F to 120°F (-29°C to 49°C)

Shipping Specifications		
MODEL	SHIPPING WEIGHT	BOX DIMENSIONS
FDW75	110 Lbs. (49.9 Kg.)	17 x 14 x 17 (431.8 x 355.6 x 431.8mm)

Dimensions / Architectural Drawings



Certifications and Ratings

UL Listed	WEEE	CE	RoHS